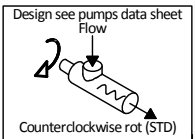
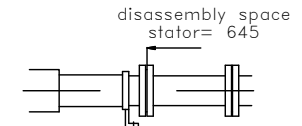
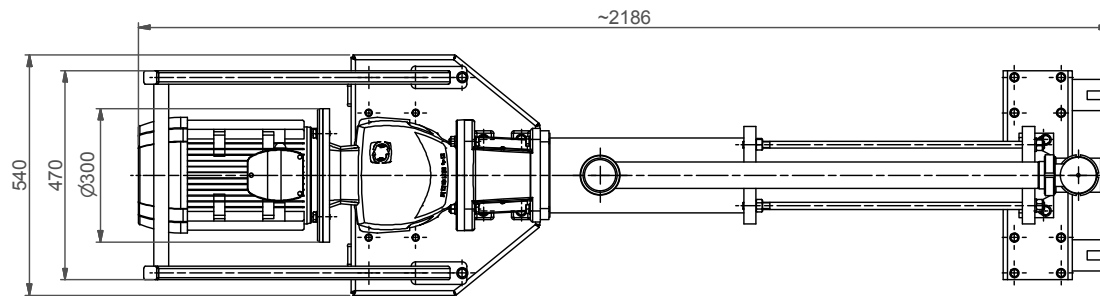
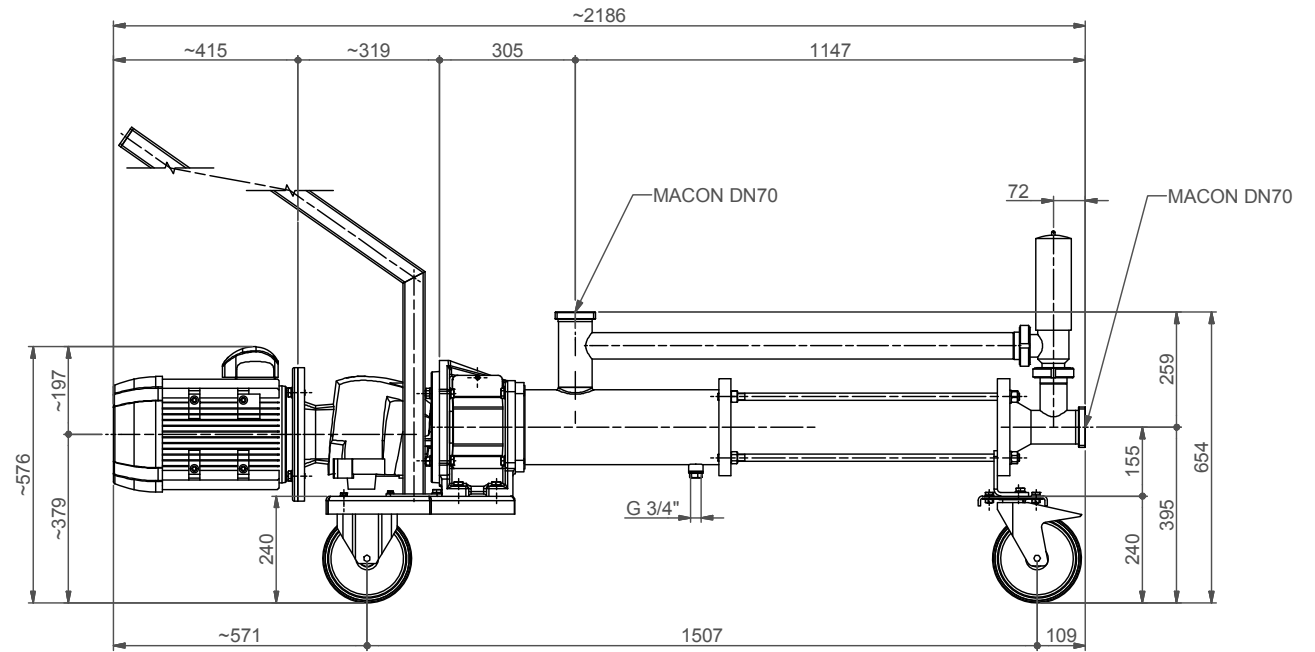
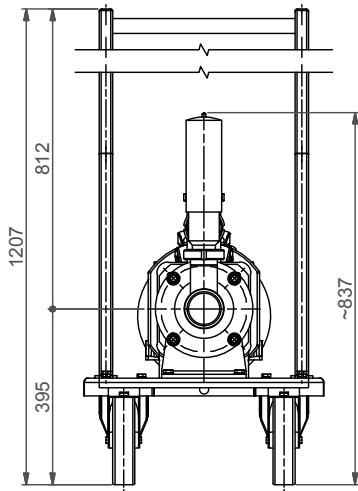


C.W.M. S.R.L.



Replacement for:	Replacement by:		
TYPE: MD100-1	Drawn:	Scale: 1:17	Weight: 282 kg
Denomination:	Date:		Sheet 1 of 1
Dimensional Drawing	Check: GM		
	Date: 28/12/2013	<i>General Tolerances ISO 2768-v</i> <i>Geometrical tolerance and roughness ISO 1302</i>	